

IP NETWORK CAMERA

IPB2MIRVF & IPB3MIRVF

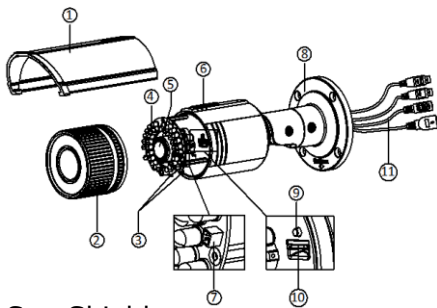
You Talk, We Listen[®]
ONIX USA



Features

- Megapixel Recording
IPB2MIRVF – 2 Megapixel
IPB3MIRVF – 3 Megapixel
- Outdoor Rated IP66
- IR LED's – 99ft Range
- Digital Wide Dynamic Range
- True Day / Night
- SD Card – Up to 64GB
- ONVIF Compliant
- PoE
- Audio & Alarm I/O (Optional)

Diagram



1. Sun Shield
2. Front Cover
3. Zoom and Focus Lever
4. IR LED
5. Lens
6. Air Vent
7. Video Output Interface
8. Integrated Bracket
9. Reset
10. Mini SD Card Slot
11. Network Interface

Part Number	IPB2MIRVF	IPB3MIRVF
Resolution	1920x1080	2048 x 1536
Frame Rate	30fps(1920x1080) 30fps(1280x720)	15fps(2048x1536) 30fps(1920x1080) 30fps(1280x720)
Image Sensor	1/3" Progressive Scan CMOS	
Lux Rating	0.7 Lux @ F1.2, 0 Lux with IR	
Shutter	1/30s ~ 1/100,000s	
Lens	2.8-12mm IR Cut Filter, Angle of View 30.5~98 Degree	
IR Range	30 Meter (99ft)	
DNR	3D DNR	
WDR	Digital WDR	
Compression	H.264 / MJPEG	
H.264 Codec	Main Profile	
Bit Rate	32Kbps ~ 16Mbps	
Audio Compress	G.711 / G.726	
Audio Bit Rate	64Kbps (G.711) / 16Kbps (G.726)	
SD Recording	Mini SD Card: Up to 64GB	
Image Settings	Saturation, Brightness, Contrast, Sharpness	
BLC	Configurable by Zone	
Network Storage	NAS	
Alarm Trigger	Motion, Alarm, Network Disconnect, IP Conflict, Storage Exception	
Protocols	TCP/IP, HTTP, DHCP, DNS, DDNS, RTP, RTSP, PPPoE, SMTP, NTP, SNMP, HTTPS, FTP, 802.1x, Qos	
Interoperability	ONVIF, PSIA, CGI	
Security	User Authentication, Reset Button, Flickerless, Dual Stream, Heartbeat, Mirror, Watermark	
Communication	1-RJ45 10M / 100M Ethernet Interface	
Dimensions	105mm x 295.6mm (4.13" x 11.64")	
Weight	2.65 lbs	
Operating Temp	-30 °C – 60 °C (-22 °F ~140 °F) Humidity 95%	
Power Supply	12 VDC ± 10% , PoE (802.3af)	
Power Consumpt	7.5W with IR	
Weather Rating	IP66	